



TSX30

3.5" LCD Colour Touchscreen

Key Features

- 3.5 inch (89mm) diagonal backlit LCD screen with analogue resistive touch overlay
- 1/4 VGA 320 x 240 pixel resolution
- 65000 Colours available
- Designed to match Sencia and Kensington Series
- Fits standard double gang backbox (35mm Depth)
- Selection of Bezel finishes with screwless fixing
- My be used to view and reprogram scene levels (engineer site vist not required)
- Supplied with basic configuration installed
- Standard buttons and backgrounds supplied with configuration software
- All graphics and buttons can be customised
- Programmable backlight level to automatically reduce screen brightness to a non-intrusive level after time out period
- Password feature to allow different access levels
- Large memory allows for up to 250 pages depending of graphics used
- Configuration stored in Non Volatile EEPROM
- Designed and manufactured to ISO9001:2008 standards



Overview

This LCD touch screen is a flexible device which provides an intuitive "user friendly" method of interfacing to the iLight control system. The LCD touch screen provides virtually a limitless flexibility of system configuration and control. It is completely software based, and programs can be tailored to suit the precise needs of the user. The touch screen can also be used to provide control of other integrated systems such as audio, curtains, blinds and heating.

The TSX30 incorporates fully customisable graphics which allows the user to create the exact look and feel of their screen. From a welcome page in a hotel suite that includes a background image of the hotel, to a minimalist theme for a home cinema room, the LCD touch screen can be tailored for you. A full choice of fascia colours and metal finishes coupled with a comprehensive range of graphic 'themes' within the software library allow the touch screen to blend into it's environment.

'User Friendly' Software

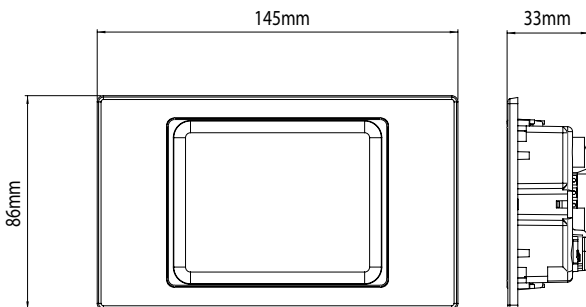
Screen design and customisation is achieved using iLight's bespoke software Touchscreen Editor which incorporates a design mode that enables easy manipulation of each individual page.

Background images can be quickly applied using the browse function and virtual buttons positioned at any point with a simple 'drag & drop' action. Buttons can also be animated, producing a 'press in & out' effect. By applying a different appearance to the button, they can be used to show when a function has been activated.

Functionality

- Scene Selection
- Scene programming
- Channel level indicated with bar graphs and percentage.
- Scene and channel naming
- Task / sequence programming
- Default screen programming
- Photocell / motion sensor interaction
- Ability to import room layout drawings, customer logos & graphics
- Ability to insert soft buttons for activating scenes and / or channels.

Dimensions



Mechanical

Climate Range:
Temperature: +2°C to +40°C
Humidity: +5 to 95% non condensing

Control Inputs:
One set of terminals for iLight network
Suitable for Belden 1502

Memory:
FLASH memory to be able to upgrade firmware
250 Page Memory - Depending on graphics used
Includes RJ12 Programming Point

Electrical

Supply: 9VDC 1 Amp via included power supply

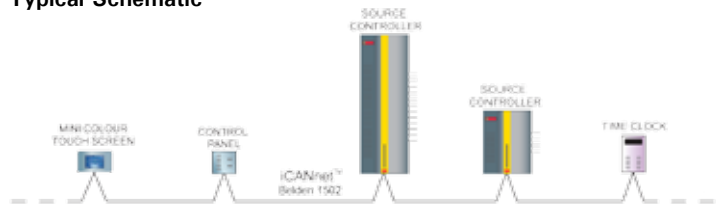
Termination
Rising clamp screw terminals within two part connectors, able to accept 1.5mm² stranded and solid wire.

iCAN network: Screw terminals within two part connectors, able to accept 1.5mm² stranded and solid wire.

Programming: iLight configuration software, via USB.
Diagnostics - network

Memory:
FLASH memory to be able to upgrade firmware
EEPROM for 128 scene memory

Typical Schematic



Contact your local Eaton office

DISTRIBUIDOR EM PORTUGAL



R. Sá de Figueiredo 6 - C
2790-233 Carnaxide
Telef. (+351) 21 417 76 21 ♦ Fax. (+351) 21 030 00 31
Web: www.sislite.pt - email: geral.sislite@sislites.pt