



SCS1210

12 Channel 10 Amp Switched Relay Source Controller

Key Features

- 12 x 10 Amp fully rated source controller
- Switches resistive, inductive and capacitive lighting loads
- Quiet operation
- 128 scene memory
- Multiple choice of circuit protection
- Security door for MCBs
- Optional RCBO per channel
- Fail to full safety feature
- iCAN network inputs
- DMX input option
- Audio Visual Port (RS485)
- Panic/Fire alarm input
- Emergency Lighting Terminals
- Configuration stored in Non Volatile EEPROM
- Firmware storage in reflashable FLASH memory over iCAN network
- CE compliant to all relevant standards
- Designed and manufactured to ISO9001:2008 standards

Overview

This 12 channel high powered intelligent switching unit provides outstanding features and performance at a truly competitive price. It is fully rated for 40 Amps three phase of continuous inductive lighting load. This unit is designed for switching large lighting loads of most types. With a 128 scene integral memory this device offers multiple control options to meet the most demanding specifications.

With iLight's iCAN network connectivity, it has the capability of being linked with a virtually limitless number of other iLight products to build up to any size of system. This product is designed for projects where there are multiple channels of Architectural lighting. It is the perfect choice for shopping malls, atria exterior lighting and industrial areas.



Powering Business Worldwide

Mechanical

Weight: 9kg (D, RCBO & RCBOX - 10.5kg)

Mains Cable Access:

12 x 25.5mm and 1 x PG29 knockouts

Control Cable Access: 1 x 25.5mm knockout

Climate Range:

Temperature: +2°C to +40°C

Humidity: +5 to 95% non condensing

Control Inputs:

Two sets of terminals for the iCANnet™ network

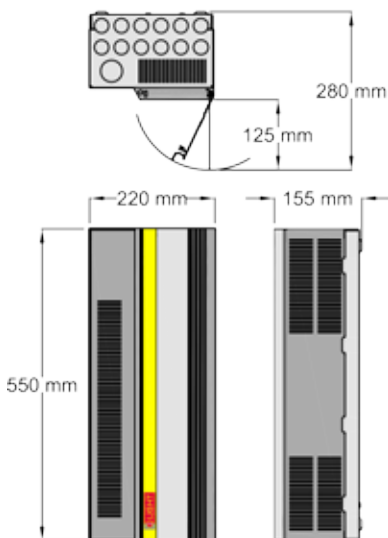
Suitable for Belden 1502

One RJ12 socket for programming the iCANnet™ network

One set of terminals for the Audio Visual Port, RS485

One set of terminals for the panic/fire alarm input

Dimensions



SCS1210 D version - 690x220x155mm.

RCBO & RCBOX version - 550x255x155mm

Electrical

Maximum Load: 40 Amp three phase @ 40°C

Maximum Channel Current: 10 Amp

Supply: 415/230 volts +/- 10% 50/60 Hz
(optionally, 220/127 volt 60 Hz)

Protection: 10 Amp MCBs Type C, 6KA rated, Input isolator
(except D version)

Options

SCS1210S - Single pole with isolator

SCS1210N - Neutral with isolator

SCS1210D - Double Pole, no isolator

SCS1210RCBO - RCBO Breakers with isolator

SCS1210RCBOX - 12 x SP MCBs with isolator (For field fit of RCBOs)

Load Types:

This unit is designed to work with most lighting load types. Please consult with the iLight™ help desk for guidance on true load calculations. Care should be taken when specifying discharge lighting sources with power factor capacitors

Switched Outputs:

This device uses 12 x 230 volt 10A (Inductive and Resistive)

Terminal Sizes:

Incoming supply, max' cable size: 10mm²

Loads, max' cable size: 1 x 4mm² or 2 x 2.5mm² per circuit

iCANnet™ network cable size: 5 x 1mm²

Audio Visual Port: RS485 2 x 1mm²

Panic/fire alarm input: 2 x 1mm²

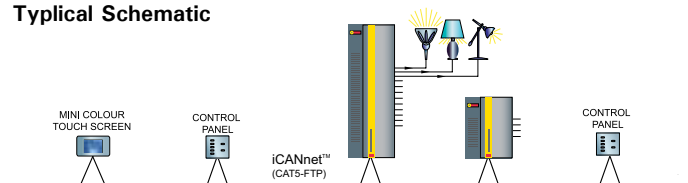
Memory:

FLASH memory to be able to upgrade firmware

EEPROM for 128 scene memory

Other Switched Relay controllers: SCS0410, SCS0420, SCS1220, SCMS0410 and the SCMS0810.

Typical Schematic



Contact your local Eaton office

DISTRIBUIDOR EM PORTUGAL



R. Sá de Figueiredo 6 - C
2790-233 Carnaxide

Telef. (+351) 21 417 76 21 ♦ Fax. (+351) 21 030 00 31
Web: www.sislite.pt - email: geral@sislite.pt



Powering Business Worldwide

© 2016 Eaton
All Rights Reserved

Document No: SCS1210 Rev7 1115

Eaton Industries Manufacturing GmbH

Electrical Sector EMEA
Route de la Longeraie
71110 Morges, Switzerland
Eaton.eu

Changes to the products, to the information contained in this document, and to prices are reserved; so are errors and omissions.

Eaton is a registered trademark.

All other trademarks are property of their respective owners.

