



SCMR0816

8 Channel x 16 Amp Feed Through Relay Controller - DINrail Mount

Key Features

- 8 x 16 Amp
- Mounts to standard Top Hat (TS35) DIN rail
- Switches resistive, inductive and capacitive lighting loads
- Build in propagation delay in switching sequence 1-8
- Manual override of any channel
- Any phase on any input
- Configuration stored in Non Volatile EEPROM
- Firmware storage in reflashable FLASH memory over iCAN network
- Configurable start up mode
- CE compliant to all relevant standards
- Designed and manufactured to ISO9001:2008 standards



Overview

This 8 channel 16 amp feed through relay unit provides outstanding features and performance at a truly competitive price. Each channel is rated for a total of 16 amps single phase and is designed to sit on load lines to switch heavy loads of all types.

The unit is used with an MPM2400 iCANdin master processor module that can manage up to 24 channels of varied dimming and switching within a DIN rail distribution board. The MPM includes a 128 scene integral memory and offers multiple control options to meet the most demanding specifications. The MPM connects into the iLight network and links to the iCANdin dimming and switching units with a short serial data cable within the distribution board.

With the iLight network connectivity, it has the capability of being linked with a virtually limitless number of other iLight products to build up to any size of system. This product is designed for projects where high power switching is required such as metal halide and high pressure sodium lamps as well as non-lighting loads of any voltage up to 230VAC



Powering Business Worldwide

Mechanical

Weight: 1 kg

Operating temperature: +2°C to +40°C

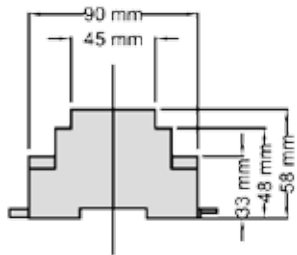
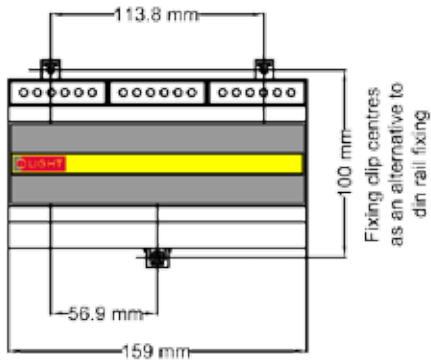
Note: All enclosures must be adequately ventilated

Max storage temperature: +60°C

Humidity: +5 to 95% non-condensing

Environmental protection: IP20

Dimensions



Electrical

Control: 12V via Slave link from Master Controller (MPM2400)

Rating: maximum 8 x 16 Amp @ 40°C

Input channel current: Maximum 16A incoming load

Output channel current: Maximum load 16 Amp

Minimum load: 0W

Supply Protection: Provided by installer use 16A (type C or faster) per channel or less (Protect all channels individually)

Load types: Capable of switching inductive, resistive and capacitive lighting loads as well as many non lighting loads up to 16A per channel. Please consult with the iLight® help desk for guidance on true load calculations. Care should be taken when specifying discharge lighting sources with power factor capacitors

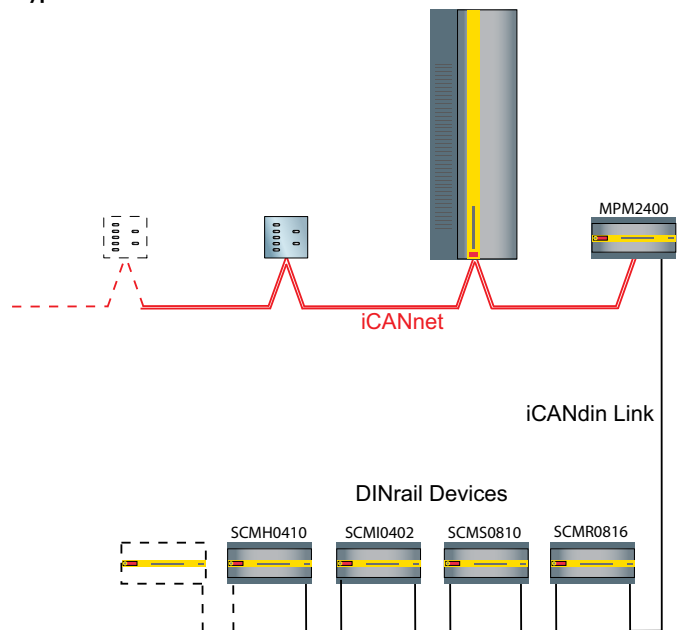
Switched Outputs: this device uses 8 x 230 volt 16A relays

Loads terminals: max. cable size: 1 x 4mm² or 2 x 1.5mm² per circuit

Other Switched Relay Controllers:

SCMS0410, SCMS0810, SCS1210 and SCS1220

Typical Schematic



Contact your local Eaton office

DISTRIBUIDOR EM PORTUGAL



R. Sá de Figueiredo 6 - C
2790-233 Carnaxide

Telef. (+351) 21 417 76 21 ♦ Fax. (+351) 21 030 00 31
Web: www.sislite.pt - email: geral@sislite.pt

Eaton Industries Manufacturing GmbH

Electrical Sector EMEA
Route de la Longeraie
71110 Morges, Switzerland
Eaton.eu

Changes to the products, to the information contained in this document, and to prices are reserved; so are errors and omissions.

Eaton is a registered trademark.

All other trademarks are property of their respective owners.



Powering Business Worldwide

© 2016 Eaton
All Rights Reserved

Doc. No: SCMR0816 Rev6 1115

