



SCLED1205

12 Channel Leading & Trailing Edge Source Controller

Key Features

- Leading and Trailing edge compatible
- No minimum load
- Silent operation
- 12 channel source controller
- Electronic overload protection
- 128 scene memory
- Multiple choice of circuit protection
- Security door for MCBs
- Optional RCBO per channel
- Fail to full safety feature
- iCAN network inputs
- DMX input option
- Audio Visual Port (RS485)
- Panic/Fire alarm input
- Emergency Lighting Terminals
- Configuration stored in Non Volatile EEPROM
- Firmware storage in reflashable FLASH memory over iCAN network
- CE compliant to all relevant standards
- Designed and manufactured to ISO9001:2008 standards

Overview

Designed to cope with today's LED loads, SCLED is ideal for dimmable mains powered LED, LED drivers as well as low voltage electronic transformers (not wirewound transformers).

Tested for compatibility with a wide range of LED lamps, configurable channel by channel for Leading or Trailing Edge operation. SCLED is ideal where silent operation is required. With a 128 scene integral memory, this device offers multiple control options, to meet the most demanding specifications.

In addition to iLight's iCAN network connectivity, SCLED also has an audio visual port (optionally a DMX port), and panic/fire alarm input. It is typically used on its own in areas that need manageable and controlled light such as themed restaurants, visitor centres, art galleries, and churches, or as part of a comprehensive network in large building complexes.



Powering Business Worldwide

Mechanical

Weight: 10kg (RCBO & RCBOX - 11.5kg)

Mains Cable Access:

12 x 25.5mm and 1 x 38mm knockouts

Control Cable Access: 1 x 25.5mm knockout

Climate Range

Temperature: +2°C to +40°C

Humidity: +5 to 95% non condensing

Control Inputs

Two sets of terminals for the iCANnet™ network

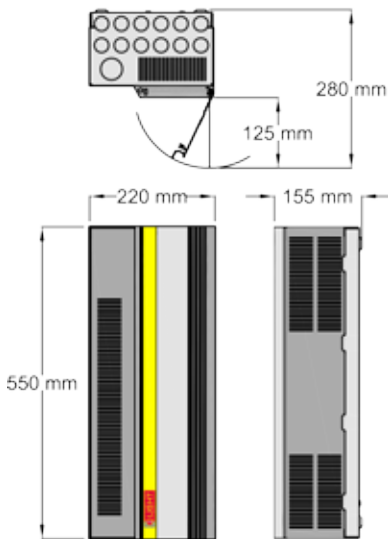
Suitable for Belden 1502

One RJ12 socket for programming the iCANnet™ network

One set of terminals for the Audio Visual Port, RS485

One set of terminals for the panic/fire alarm input

Dimensions



SCLED1205 D version - 690x220x155mm.

RCBO & RCBOX version - 550x255x155mm.

Electrical

Dimmed Outputs: 12 x 5Amp *Max

**Please note: There are no industry standards for mains dimmable LED designs. Individual lamp performance and dimming ranges vary considerably between manufacturers, models and even over time. Always refer to the lamp manufacturer's recommended limits for leading/trailing edge operation, derating of load due to inrush current and maximum number of lamps per circuit. This is often limited to less than 10 lamps per circuit regardless of load. It shall be the responsibility of the installer to check lamp compatibility in advance or arrange proving tests/quantities as necessary.*

Supply: 230 volts +/- 10% 50/60 Hz

Protection: 12 x 6 amp MCBs Type C, 6KA rated, Input isolator.

Options:

SCLED1205S - Single pole with isolator

SCLED1205N - Neutral disconnect with isolator

SCLED1205D - Double pole, no isolator

SCLED1205RCBO - RCBO Breakers with isolator

SCLED1205RCBOX - 12 x SP MCBs with isolator (For field fit of RCBOs)

Load Types:

Dimmable mains powered LED, LED drivers & low voltage electronic transformers

(Check the iLight™ help desk for details)

Not suitable for magnetic transformers or metal halide type loads.

Minimum Load: No Minimum Load

Switched Loads: Use an approved Eaton Contactor, article: CR2020230.

Terminal Sizes:

Incoming supply, max' cable size: 10mm²

Loads, max' cable size: 1 x 4mm² or 2 x 2.5mm² per circuit

iCANnet™ network cable size: 5 x 1mm²

Audio Visual Port: RS485 2 x 1mm²

Auxiliary over-ride input: 2 x 1mm²

Memory:

FLASH memory to be able to upgrade firmware

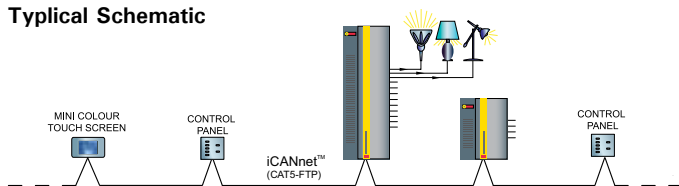
EEPROM for 128 scene memory

Fade Times: 0.1 seconds to 60 minutes

Mains Stabilisation: 50:1

Other transistor source controllers: see SCLED0405, SCA1210, SCA0410, SCMA0402 (DINrail mounted)

Typical Schematic



Contact your local Eaton of ce

DISTRIBUIDOR EM PORTUGAL

R. Sá de Figueiredo 6 - C
2790-233 Carnaxide
Telef. (+351) 21 417 76 21 ◆ Fax. (+351) 21 030 00 31
Web: www.sisilite.pt - email: geral@sisilite.pt

EATON
Powering Business Worldwide

© 2016 Eaton
All Rights Reserved

Document No: SCLED1205 Rev6 0516

Eaton Industries Manufacturing GmbH

Electrical Sector EMEA
Route de la Longeraie
71110 Morges, Switzerland
Eaton.eu

Changes to the products, to the information contained in this document, and to prices are reserved; so are errors and omissions.

Eaton is a registered trademark.

All other trademarks are property of their respective owners.

CE

