



SCD96

96 Channel DMX Source Controller with 8 x 3A Relays

Key Features

- 96 DMX outputs
- 8 x 3A volt-free change-over relays
- Suitable for low voltage or resistive 230V loads
- 8 x Analogue / Digital inputs
- 8 x Digital outputs
- 16 sequences with up to 128 steps per sequence
- Configurable iLight Area/ Channel Number
- 128 Scenes per DMX Channel
- RS485 port for connection to third party AV devices
- 2 configurable auxiliary/alarm inputs
- Configuration stored in Non Volatile EEPROM
- Firmware storage in reflashable FLASH memory over iCAN network
- Configurable start up mode
- CE compliant to all relevant standards
- Designed and manufactured to ISO9001:2015 standards

Overview

The iLight SCD96 is a 96 channel DMX source controller designed to provide control, with power switching, of any DMX512 controllable device. This product is of particular use for controlling DMX lighting devices including LED colour changing units and entertainment devices.

Each channel can be assigned a DMX channel from within iCANSOFT. The SCD96 can be controlled like any other iLight source controller using any of the iLight user interfaces to activate scenes and sequences.

The unit incorporates 8 general purpose 3A relay devices which overlay channels 1-8 and 8 digital outputs which overlay channels 9-16. This is ideal for control of non DMX loads such as curtains, blinds or ballasts within an overall DMX installation.



Powering Business Worldwide

Mechanical

Weight: 2.5kg

UK Version - Mains Cable Access:

2 x 25mm and 2 x PG16 knockouts

Control Cable Access:

1 x 25mm and 1 x PG16 knockout

Climate Range:

Temperature: +2°C to +40°C

Humidity: +5 to 95% non condensing

Control Connection:

iCANnet™ network x 2 (Suitable for Belden 1502)

CAN termination link

RJ12 socket for network programming

DMX terminals (DMX-512A)

DMX termination link

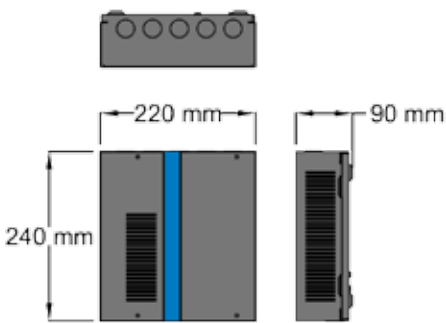
RS485 terminals

Alarm input x 2

Digital outputs x 8

Analogue / Digital inputs x 8

Dimensions



Electrical

Supply:

230 volts +/- 10% 50/60 Hz 1 Amp (optionally, 127 volt 60 Hz)

Protection: Requires external circuit breaker

Load Types:

DMX controlled loads (96 DMX addresses total)

8 x Relay outputs 3Amps AC for general use resistive, incandescent lamps (tungsten) electric discharge (ballast) loads and 1/4 HP AC motor loads to use at 230VAC. Normally open and normally closed terminals available for line or low voltage use.

Terminal Sizes:

Incoming supply, max cable size: 4mm²

Relay terminals: 4mm²

iCANnet™ network cable size: 5 x 1mm²

DMX output: 4 x 1mm²

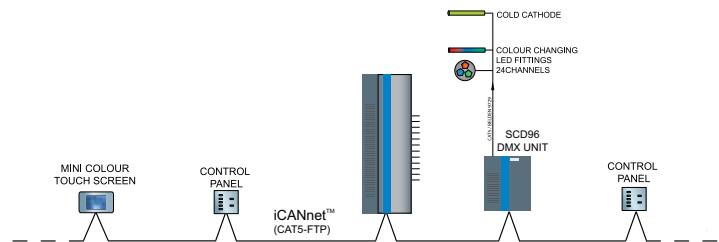
Memory:

FLASH memory to be able to upgrade software

EEPROM for 128 scene memory

Fade Times: 0.1 seconds to 60 minutes

Typical Schematic



Contact your local Eaton office

DISTRIBUIDOR EM PORTUGAL



R. Sá de Figueiredo 6 - C
2790-233 Carnaxide
Telef. (+351) 21 417 76 21 ♦ Fax. (+351) 21 030 00 31
Web: www.sislite.pt - email: geral@sislite.pt

© 2018 Eaton
All Rights Reserved

Document No: SCD96 Rev6 0318

Eaton Lighting Systems

20 Greenhill Crescent,
Watford Business Park,
Watford, Herts, WD18 8JA. UK
eatonlightingsystems.com

Changes to the products, to the information contained in this document, and to prices are reserved; so are errors and omissions.

Eaton is a registered trademark.

All other trademarks are property of their respective owners.



Powering Business Worldwide