



# SCD24

## 24 Channel DMX Source Controller

### Key Features

- 24 channel DMX source controller module
- 128 scene memory
- Suitable for 5 Amp single phase supply
- iLight iCAN network inputs
- Configuration stored in Non Volatile EEPROM
- Firmware storage in reflashable FLASH memory over iCAN network
- CE compliant to all relevant standards
- Designed and manufactured to ISO9001:2008 standards

### Overview

The iLight 24 channel DMX source controller is designed to provide control of any DMX512 controllable device. This product is of particular use for controlling DMX LED colour changing units and entertainment devices. Each channel can be assigned a DMX channel from within iCANsoft. The SCD24 can be controlled like any other iLight Source Controller using any of the iLight user interfaces to activate scenes and sequences.



## Mechanical

Weight: 2.5kg

UK Version - Mains Cable Access:

2 x 25mm and 2 x PG16 knockouts

Control Cable Access:

1 x 25mm and 1 x PG16 knockout

Climate Range:

Temperature: +2°C to +40°C

Humidity: +5 to 95% non condensing

Control Inputs:

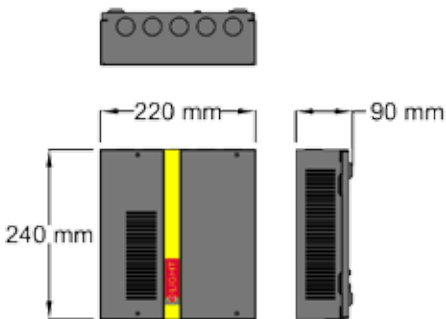
Two sets of terminals for the iCANnet™ network

Suitable for Belden 1502

One RJ12 socket for programming the iCANnet™ network

One set of terminals for the DMX output

## Dimensions



## Electrical

Supply: 230 volts +/- 10% 50/60 Hz 1 Amp  
(optionally, 127 volt 60 Hz)

Protection: Requires external circuit breaker

Load Types:

DMX controlled loads

Terminal Sizes:

Incoming supply, max' cable size: 4mm<sup>2</sup>

iCANnet™ network cable size: 5 x 1mm<sup>2</sup>

DMX output: 2 x 1mm<sup>2</sup>

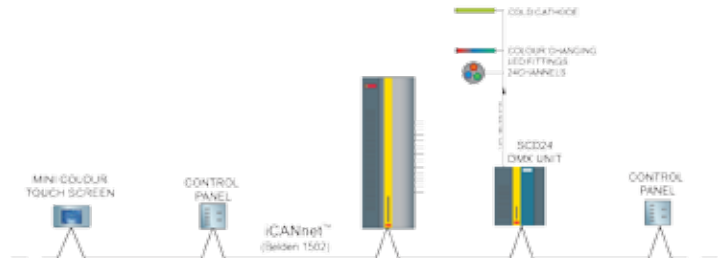
Memory:

FLASH memory to be able to upgrade software

EEPROM for 128 scene memory

Fade Times: 0.1 seconds to 60 minutes

## Typical Schematic



## Contact your local Eaton office

DISTRIBUIDOR EM PORTUGAL



R. Sá de Figueiredo 6 - C  
2790-233 Carnaxide  
Telef. (+351) 21 417 76 21 ♦ Fax: (+351) 21 030 00 31  
Web: [www.sislite.pt](http://www.sislite.pt) - email: [geral@sislite.pt](mailto:geral@sislite.pt)

### Eaton Industries Manufacturing GmbH

Electrical Sector EMEA  
Route de la Longeraie  
71110 Morges, Switzerland  
Eaton.eu

Changes to the products, to the information contained in this document, and to prices are reserved; so are errors and omissions.

Eaton is a registered trademark.

All other trademarks are property of their respective owners.